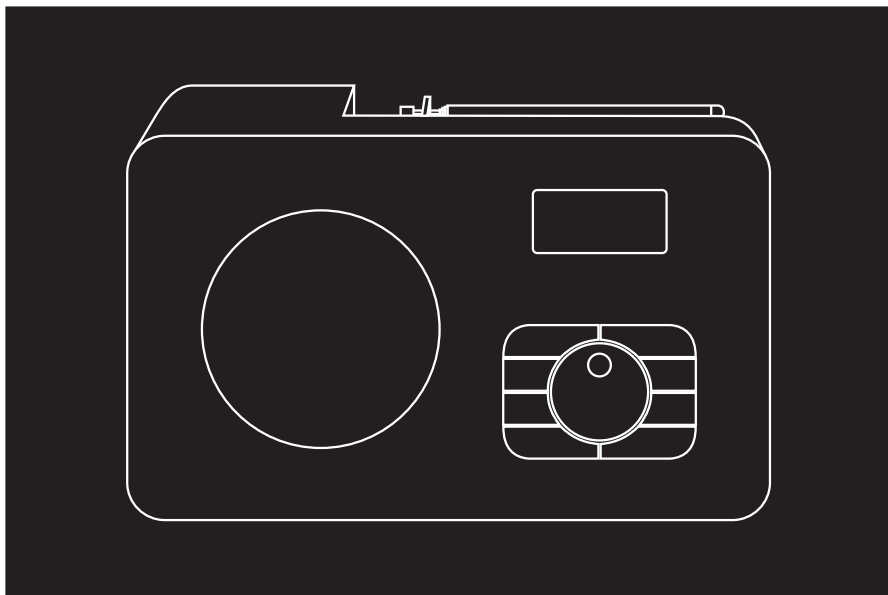


Technika

EXCLUSIVELY FROM TESCO



DAB121

Owner's
Handbook

Portable DAB radio

IMPORTANT SAFETY INFORMATION



This symbol indicates that there are important operating and maintenance instructions in the literature accompanying this unit.



This symbol indicates that dangerous voltage constituting a risk of electric shock is present within this unit.

Read these instructions.

Keep these instructions.

Heed all warnings.

Follow all instructions.

Do not use this apparatus near water.

Clean only with a slightly damp cloth.

Do not block any ventilation openings.

Install in accordance with the manufacturer's instructions.

Do not install or operate near any heat sources such as radiators, stoves, or other apparatus that produce heat.

Unplug this apparatus during lightning storms or when unused for long periods of time.

Refer all servicing to qualified service personnel. Servicing is required when the apparatus has been damaged in any way,

such as the power-supply cord or plug is damaged, liquid has been spilled or objects have fallen into the apparatus, the apparatus has been exposed to rain or moisture, does not operate normally, or has been dropped.

Warning: To reduce the risk of fire or electrical shock, do not expose this product to rain or moisture. The product must not be exposed to dripping and splashing and no object filled with liquids such as a vase of flowers should be placed on the product.

No naked flame sources such as candles should be placed on the product.

Caution: Changes or modifications not expressly approved by the manufacturer could void the user's authority to operate this device.

Caution: Usage of controls or adjustments or performance of procedures other than those specified herein may result in hazardous exposure.

IMPORTANT

This equipment generates, uses and can radiate radio frequency energy and, if not installed and used in accordance with the instructions, may cause harmful interference to radio communication. However, this is no guarantee that interference will not occur in a particular installation. If this equipment does cause harmful interference to radio or television reception, which can be determined by turning the equipment off and on, the user is encouraged to try to correct the interference by one of the following measures:

- Reorient or relocate the receiving antenna.
- Increase the separation between the equipment and receiver.
- Connect the equipment into an outlet on a circuit different from that to which the receiver is connected.
- Consult the dealer or an experienced radio/TV technician for help.

ELECTRICAL INFORMATION

Use this appliance only with the supplied AC Adaptor. Using non-approved power supplies will void the warranty.

Mains Supply: The mains operating voltage of the AC Adaptor is marked on a rating plate on the AC Adaptor.

The means of disconnecting this appliance from the mains supply is the AC adaptor. This should be unobstructed and readily operable at all times.

INDEX

INDEX

Important safety information	1
Introduction	2
Unpacking	2
Controls & Connections.....	3
Getting started	4
Fitting batteries	4
Power control	4
DAB reception	5
Volume control	5
Selecting DAB or FM modes.....	5
FM reception.....	5
Radio presets	6
DAB scanning	6
DAB display modes	7
FM display modes	7
DAB Settings menu.....	8
FM settings menu	9
Setting the alarms.....	10
Care & Maintenance.....	12
Troubleshooting	12
Specifications	12
Warranty	12

INTRODUCTION

The DAB121 is a full-function portable DAB and FM radio, powered by batteries (not supplied) or an AC adaptor.

PRELIMINARIES

UNPACKING

Carefully unpack the unit. If it is damaged, please return it to your nearest Tesco store for replacement. Remember to take your purchase receipt with you.

Retain the User Handbook. If you pass the unit on to a third party make sure you pass on the handbook.

We suggest you retain the packaging. If you dispose of it, do so having regard to any recycling regulations in your area.

CONTENTS

The carton should contain:

- The DAB121 portable radio
- AC adaptor
- Operating Manual

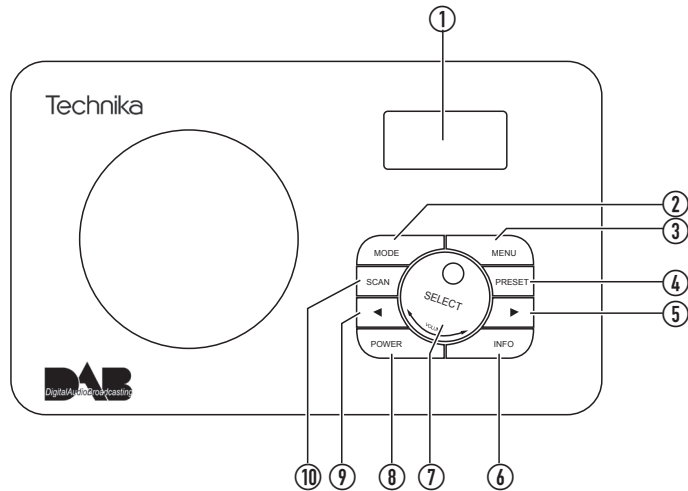
If any items are missing or damaged, contact your nearest TESCO store for a replacement. Have your receipt ready when you call. Retain the packaging. If you dispose of it, do so having regard to any recycling regulations in your area.

LOCATION

Place the unit on dry stable surface away from heat and damp and where it is unlikely to fall or be knocked over.

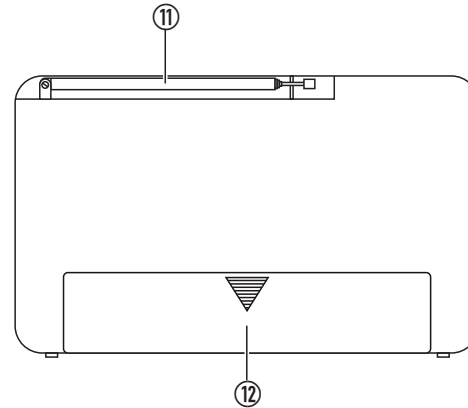
CONTROLS & CONNECTIONS

FRONT VIEW



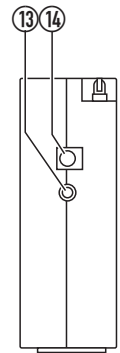
- ① Display
- ② Mode button
- ③ Menu button
- ④ Preset button
- ⑤ Next/Up button
- ⑥ Info button
- ⑦ Volume control (turn)
Select (press)
- ⑧ Power button
- ⑨ Previous/down button
- ⑩ Scan button

BACK VIEW



- ⑪ DAB/FM Aerial
- ⑫ Battery compartment

SIDE VIEW



- ⑬ Headphone jack
- ⑭ DC-In jack

GETTING STARTED

CONNECTING POWER

Before connecting the power, check that the mains voltage on the rating plate of the AC adaptor is the same as the voltage in your area.

- Plug the DC cord from the AC adaptor into the DC-In jack on the side of the unit.
- Plug the AC adaptor into the wall socket and switch the mains power on.

The unit is now ready for use.

NOTE:- The AC adaptor may become warm during operation - this is normal.

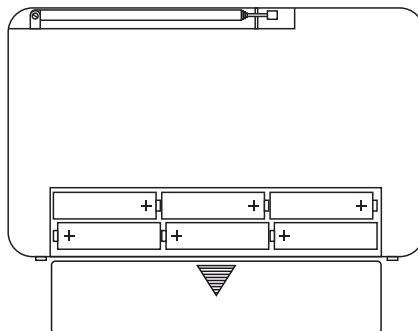
SETTING THE CLOCK

The clock on your radio is automatically set when first used from the time signal broadcast with DAB radio stations.

If a DAB station is not available, the clock may be set manually via the Settings menu (see page 8).

FITTING BATTERIES

Referring to the diagram, slide off the battery compartment lid. Fit 6 x AA batteries into the battery compartment, observing polarity as shown. Alkaline batteries are recommended for best performance.



BATTERY DISPOSAL

Dispose of used batteries with regard to the recycling regulations in your area. Do NOT short circuit batteries or throw them into water, the general rubbish or in a fire.

Weak batteries can leak and damage the radio. Replace them in good time!

POWER CONTROL

POWER CONTROL

To turn the radio on:

- Press the **POWER** button.

The radio will switch on.

To set the radio to Standby:

- Press the **POWER** button **briefly**.

The radio will set to Standby. The clock will continue to run in Standby mode.

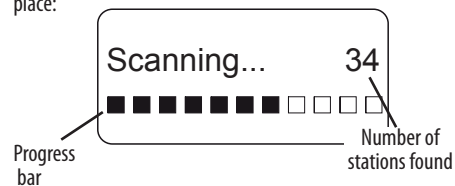
To switch the power off completely:

- Press and **hold** the **POWER** button.

The radio will switch off completely including the clock display. Switching the power off completely will reduce power consumption and extend battery life (when battery powered).

INITIAL SCAN

When your radio is switched on for the first time the scanning display will be shown while the scanning process takes place:



The radio scans all usable stations (full scan) and stores them alphanumerically - 1 Radio, 2 Radio, AA Radio, AB Radio... The initial scan will take a few minutes. After the scan, the clock will be set and the radio will play the first station in the sequence. To browse for another station, refer to the next section.

BROWSING FOR A STATION

To browse for another DAB station:

- Press the ► or ◀ button repeatedly.

The stations in the station list will be displayed in sequence.

Press the button until you find the station you want.

- Press the **VOLUME/SELECT** control to select the displayed station.

After a short delay, the radio will tune to the station.

ADJUSTING THE VOLUME

To increase the volume:

- Turn the **VOLUME/SELECT** control clockwise.

The volume level will increase.

To decrease the volume:

- Turn the **VOLUME/SELECT** control anti-clockwise.

The volume level will decrease.

When the volume is adjusted the display will change to show the current volume setting on a bargraph.

SELECTING DAB OR FM

You can choose to listen to DAB or FM radio -

Selecting DAB or FM:

- Press the **MODE** button repeatedly to switch between DAB and FM mode.

LISTENING TO FM RADIO

Your radio can also receive FM band radio stations.

To change to the FM band:

- Press the **MODE** button to switch between DAB and FM mode.

To auto-tune to FM stations:

- Press and **hold** the ► or ◀ button to search up or down for the next station in the band.

The radio will search and the tuning frequency will be displayed whilst searching.

When a usable station is detected the radio will stop tuning and play the station. If RDS data is present, the station name and scrolling radio text will be displayed. If RDS data is not present, the tuned frequency will be displayed.

To manually tune to FM stations:

- Press the ► or ◀ button to tune the band in 50kHz steps.

STEREO/MONO RECEPTION

You can set your radio to switch automatically between stereo and mono FM reception (Stereo allowed) or to receive in mono only (Forced mono). Setting to Forced mono mode may improve sound quality in areas where a weak aerial signal results in a high level of background noise.

Changing the FM audio mode:

- Whilst playing an FM radio station, press the **MENU** button.

- Press the ► button once.

'Audio setting' will be displayed.

- Press the **VOLUME/SELECT** control.

- Press the ► or ◀ button to switch between the options of 'Stereo allowed' or 'Forced mono'.

- Press the **VOLUME/SELECT** control to confirm the selection.

- Press the **MENU** button to exit the menu.

DAB & FM STATION PRESETS

DAB and FM presets

Your radio can store up to 10 of your favourite stations as presets on both the DAB and FM bands for quick recall.

To store a preset 1-10

- Tune to the station you want to store as a preset.
- Press and **hold** the **PRESET** button.

'Preset Store' will be displayed.

- Press the **▶** or **◀** button repeatedly to find the preset number you want to store.

For each preset number the preset station currently stored will be displayed or '(Empty)' if none is stored.

- Press the **VOLUME/SELECT** control to confirm if you want to store the station in the displayed preset number.

To recall any preset 1-10

- Press the **PRESET** button **briefly**.
- Press the **▶** or **◀** button repeatedly to find the preset number you want to play.
- Press the **VOLUME/SELECT** control **briefly** to play the preset.

The radio will re-tune and the preset number will be displayed.

DAB SCANNING

When first used, your radio scanned the DAB band for available stations. The station services found were then stored in your radio's memory.

You can re-scan the band at any time if you move to a different area or just to refresh the stored list of available stations.

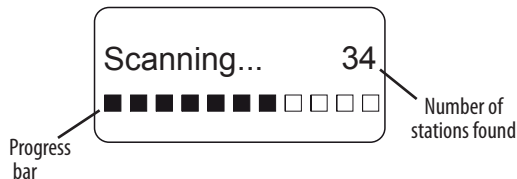
NOTE: On some occasions, when moving to a different area, re-scanning may not fully update the station list. In this case it may be necessary to reset your radio. (see the 'Factory reset' option on page 8).

To scan for DAB stations manually:

- Select the DAB band.
- Press the **SCAN** button.

The scanning process will take a few minutes. The number of services found during the scan will be shown at the right side of the display.

After the scan, the radio will re-tune to the last station playing if it is available. Alternatively, you can continue to browse for another station as described on the previous page.



DAB DISPLAY MODES

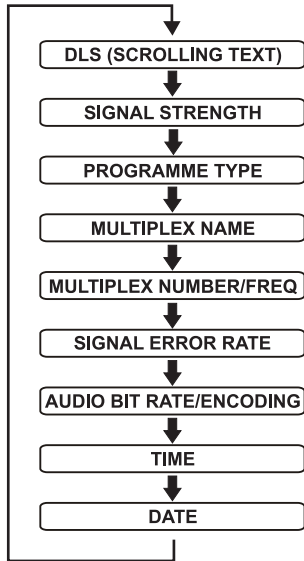
DISPLAY MODE OPTIONS

The bottom line of the display can be switched to show different items of information that may be transmitted with a DAB station.

Choosing the information display:

Press the **INFO** button repeatedly to change the information displayed while playing a DAB radio station.

The full range of display options are shown below. Some stations may not broadcast all of these options.



DLS (Dynamic Label Segment): This is a scrolling message giving real-time information - song titles, news headlines, etc.

SIGNAL STRENGTH: This setting will display a signal strength bargraph. The longer the bargraph, the stronger the signal. Setting the display to show signal strength is useful when setting up the aerial for the strongest signal.

PROGRAMME TYPE: This describes the style of the programme being broadcast.

MULTIPLEX NAME: DAB Digital radio stations are broadcast in multiplexes. Each multiplex is a bundle of radio stations transmitted in a single frequency. There are national and local multiplexes; local ones contain stations specific to your area. This option displays the name of the multiplex name that contains the station you are listening to.

MULTIPLEX NUMBER/FREQ: This option will display the multiplex number and frequency that contains the station you are listening to.

SIGNAL ERROR RATE: This option will display the level of signal errors in the current broadcast. The lower the number, the better the quality of the signal.

BIT RATE: DAB allows broadcasters to vary the BIT RATE (or the amount by which an audio signal can be compressed) depending on the type of broadcast. This enables the amount of stations on a multiplex to be maximised. Speech and News are often broadcast at a lower Bit Rate; music needs a higher Bit Rate for good fidelity.

TIME AND DATE: Time and date are updated by broadcasted information.

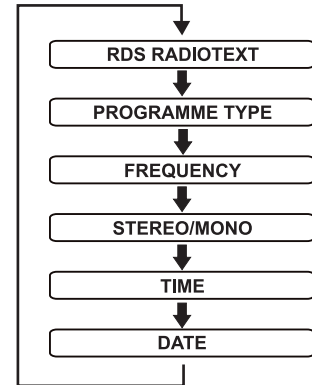
FM DISPLAY MODES

The bottom line of the display can be switched to show different items of information that may be transmitted with an FM station.

To change the display mode:

Press the **INFO** button repeatedly to change the information displayed while playing an FM radio station.

The full range of display options are shown below. Some stations may not broadcast all of these options.



ADVANCED OPERATION - DAB SETTINGS MENU

DAB SETTINGS MENU

Your radio has some additional features and options that may be reached through the Settings Menu.

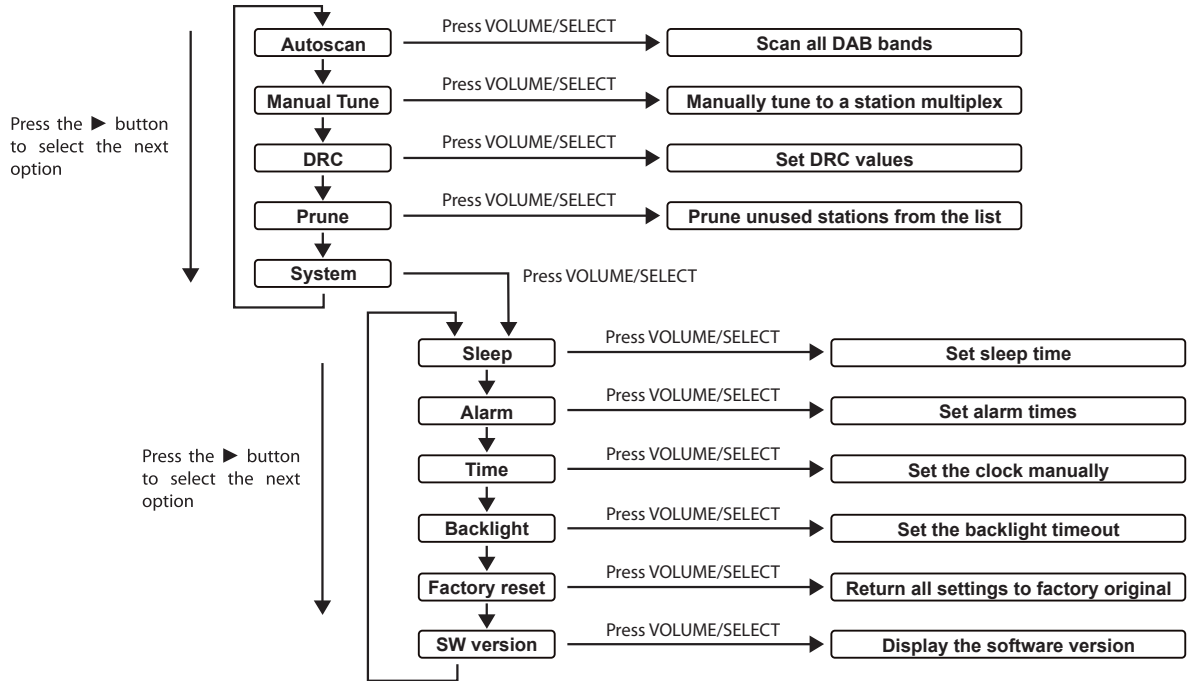
A complete map of the menu is shown here.

To enter the DAB Settings Menu:

- Set to DAB mode.
- Press the MENU button.

Press the ► or ◀ button to scroll through the available options. To choose an option from the menu, press the VOLUME/SELECT control. To move back through the menu, press the MENU button.

Choose the 'System' menu option to open the sub-menu of system options shown on the menu map.



DAB SETTINGS MENU

MORE DETAIL OF THE DAB SETTINGS MENU OPTIONS:

AUTOSCAN: Select Autoscan to re-scan the entire DAB band and refresh the station list.

MANUAL TUNING: Manual tuning enables you to search the band manually by pressing the ► or ◀ button to step through the multiplex numbers and check if any have usable signal strength on a bargraph display. Manual tuning is not necessary in normal operation where scanning will have automatically established a station list of all usable stations.

DRC: DRC is Dynamic Range Compression. Enabling DRC may improve the sound of DAB radio when listening in a noisy room.

PRUNE: If your station list includes stations that you can no longer receive (you may have moved to a different area), you can select the 'Prune' option to remove any stations that can no longer be received from the Station List.

MORE DETAIL OF THE SYSTEM SUB-MENU OPTIONS:

SLEEP: Select this option to set a sleep time in the range 15-90 minutes. When a sleep time is set, the radio will set to Standby after the sleep delay time. Choose 'Sleep Off' to cancel sleep mode.

ALARM: Select this option to set alarm times and activate one or both of the dual alarms. There are more details of alarm setting on the following page.

TIME: Select the time option to set the clock manually. This may be useful if you are in an area where it is not possible to receive DAB radio broadcasts. Within the time menu options it is also possible to change the clock display format between 12 and 24 hour, to choose whether the clock should set from the DAB time signal (Auto update) and to change the format of the time and date display.

BACKLIGHT: Select 'Backlight', then the 'Timeout' sub-option to change the backlight settings. Choose from ON (backlight is permanently on) or a delay time in seconds. If you choose a delay time, the backlight will switch to full brightness when a button is pressed, then change to low brightness once the delay you set has elapsed.

FACTORY RESET: Select the 'Yes' sub-option to reset all the settings of your radio to factory original settings. The station list will also be cleared and any stored preset memories will be erased. After a factory reset the radio will re-scan the band and renew the station list.

SW VERSION: This option will display the version number of the control software currently installed in your radio. This will be helpful to a technician who is servicing the radio.

FM SETTINGS MENU

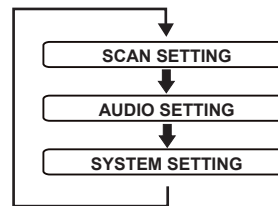
FM SETTINGS MENU

There are also some menu settings that are specific to FM radio operation. These settings may be changed through the Settings Menu.

To enter the FM Settings Menu:

- Set to FM mode.
- Press the **MENU** button.

A map of the menu is shown below. The menu is navigated in the same way as the DAB settings menu.



MORE DETAIL OF THE FM SETTINGS MENU OPTIONS

SCAN SETTING: With this menu option you can set the scanning sensitivity of the FM radio to two different levels- 'Strong stations only' or 'All stations'. Setting to 'Strong stations only' will exclude weaker stations resulting in a quicker scan. If you set to 'All stations' the scan will stop at every station detected, even if the signal is weak.

AUDIO SETTINGS: This option enables you to set the radio to receive FM in Auto mode (Mono/Stereo) or in Mono only. This may be useful if the signal is weak and the broadcast is noisy.

SYSTEM: The System sub-menu options are the same as those described in the DAB settings section.

SETTING THE ALARMS

SETTING THE ALARMS

You can set two completely separate alarm times (ALARM 1 and ALARM 2) and activate either or both of them to wake you with a buzzer or radio. You can also pre-set the station preset and volume settings that the alarms will wake you with.

The alarms are set from within the 'Alarm' option of the Settings Menu.

NOTE:- You must complete all settings before leaving the menu or your changes won't be saved.

Setting the Alarm:

- Switch on the radio (Alarm settings cannot be changed when set to Standby).
- Press the **MENU** button.
- 'Autoscan' will appear on the display.*
- Press the ◀ button once to step to the 'System' menu option.
- Press the **VOLUME/SELECT** control.
- Press the ▶ or ◀ button to step to the 'Alarm' menu option.
- Press the **VOLUME/SELECT** control.
- 'Alarm 1 Setup' will appear on the display.*
- Press the **VOLUME/SELECT** control to begin setting Alarm 1 or press the ▶ button before selecting to choose Alarm 2 setup.

Alarm 1 Wizard is now displayed.

The alarm is now set in the sequence shown on this page.

NOTE: Press the **MENU** button at any time to exit alarm setting, leaving the settings unchanged.

To make a change to a setting:

1. Press the ▶ or ◀ button to scroll through the options available for a setting (or times when clock setting).
2. When you have finished changing a setting, press the **VOLUME/SELECT** control to confirm the setting and move on to the next setting in the sequence.
3. Repeat the previous two steps to change each setting as required.

*NOTE:- When changing the Alarm radio preset setting, choose the 'Last listened' option to wake to the last station you played before setting the radio to Standby.

Saving alarm settings:

Your alarm settings are automatically saved when you complete the last setting and press the **VOLUME/SELECT** control.

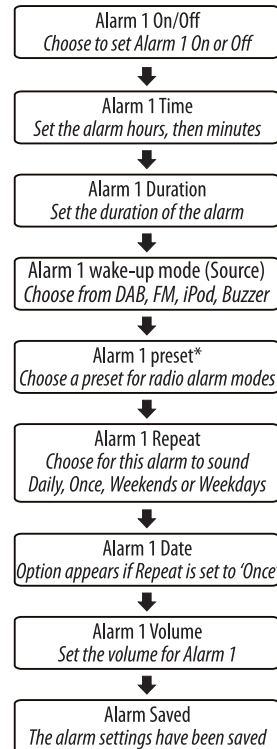
The display will confirm with the words 'Alarm saved'.

Waking to the alarm:

Once you have set the alarm with your required time and wake-up mode, set the radio to Standby.

If the alarm is active, the alarm symbol will show on the display -

ALARM SETTING SEQUENCE

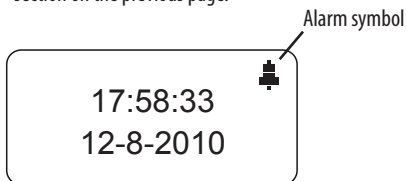


WAKING TO THE ALARMS

SETTING THE ALARM TO WAKE YOU

To set the alarm to wake you:

- Check that the Alarm symbol is displayed. If not, set the Alarm(s) On as described in the 'Setting the Alarms' section on the previous page.



- Set the radio to Standby (or set the SLEEP function).

The radio will switch off and the time and date will be displayed with the Alarm Symbol.

WHEN THE ALARM WAKES YOU

To switch off the alarm:

- To switch off the alarm, press the **POWER** button.

The display will show 'Alarm Off'.

ALARM REPEAT

The alarm(s) will repeat according to the Alarm Repeat setting you made when setting the alarm.

- Daily - The alarm will sound every day.
- Weekdays - The alarm will sound on weekdays, but not at weekends.
- Weekends - The alarm will sound on weekends, but not on weekdays.
- Once - The alarm will sound only once. If this setting has been chosen, an extra option is added for you to set the date that you want the alarm to sound.

HEADPHONES

There is a headphone output jack on the side panel of the radio. If headphones are connected to this socket for private listening, the speakers will cut out automatically.

CARE AND MAINTENANCE

CARE AND CLEANING

All care and cleaning operations should be carried out with the unit unplugged from the mains power and switched off. The surface of the unit can be cleaned with a barely damp cloth and then dried carefully. Never use abrasives, abrasive cloths or chemical solvents .

TROUBLESHOOTING

Poor quality radio reception

The aerial signal may not be adequate. Try adjusting the aerial position while watching the signal strength on the bargraph. Signal strength can be displayed by tuning to a DAB station and pressing the **INFO** button until the signal strength bargraph is displayed.

Alarm not sounding

Check that you set Alarm 1 or Alarm 2 on in the alarm setting sequence. When the alarms are on, the Alarm symbol will be displayed.

Alarm sound not audible or too loud:

Change the alarm volume setting. This setting is changed in the 'alarm setting' sequence.

WARRANTY & SPECIFICATIONS

SPECIFICATIONS

Supply Voltage, Current : . 9V ---, 600 mA

AC Adaptor input:..... 100-240 V ~, 50-60 Hz, 180 mA

Batteries..... 6 x 1.5V ---, 'AA' type batteries

Frequency range 174-240 MHz (DAB)

87.5-108MHz (FM)

Net Weight: 0.37 kg



Class II construction double insulated.

This product must not be connected to earth.



UK: Waste electrical products/batteries should not be disposed of with household waste. Separate disposal facilities exist, for your nearest facilities see www.recycle-more.co.uk or in-store for details.

ROI: Produced after 13th August 2005. Waste electrical products/batteries should not be disposed of with household waste. Please recycle where facilities exist. Check with your Local Authority or retailer for recycling advice.

WARRANTY

Your Tesco appliance is covered by a warranty for 12 months from the date of purchase. If a fault develops during this period, please contact the TESCO electrical help line on 0845 456 6767. Please have your original purchase receipt with you when you call. This warranty in no way affects your consumer rights.



Technika

Tesco Stores Ltd,
Delamare Road, Cheshunt, Herts, EN8 9SL

▶ **Technika Helpline: 0845 456 6767** (Calls cost up to 4p per minute from a BT landline, other providers may vary)

DAB121 V0.2